

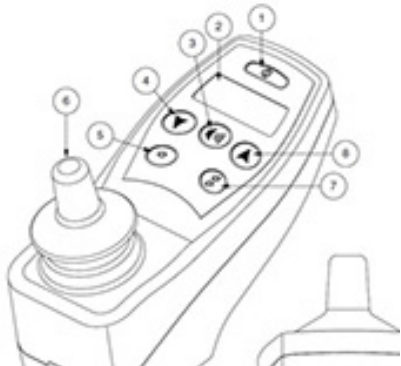
Pride Learning Institute is Holding Technical Webinars!

January 20, 2023

Click on the date and time below to register!



These courses are designed for Technicians, Seating Specialists and ATP/SMS. They may receive IACET CEUs, but not State PT or OT Accreditation.



Technical - Let's Get Back to Basics: NE & NE+ Electronics (1hr/0.1CEU/1.0CEC): This course will review NE & NE+ Electronics and error symbols and how to program and troubleshoot errors with a Curtis handheld programmer. Topics include: The identification keys, error codes and what they indicate, error codes with iLevel seating, and points of inspection to cut down on service call trips.

Target Audience: Technician/Repair Specialist, Rehab Professional (ATP, SMS, CRTS)

Learning Objectives:

At the conclusion of the course the participant will be able to:

1. Identify at least 3 error symbols.
2. Execute (2) proper ways to test a quantum power chair charger.
3. Interpret (3) ways to use monitor feature in the Curtis handheld programmer to troubleshoot problematic products.
4. Identify when the iLevel suspension is disengaged when elevated.

Pre-requisites: None

Friday 1/20/2023 - 2:00 PM - 3:00 PM (EST)

For complete Course Descriptions, Learning Objectives and Instructor Information:

Go To <https://pridelearninginstitute.com/>



Sponsored by Quantum Rehab®

Education@pridemobility.com

ADA: If you require ADA accommodations, please contact Education Department

Satisfactory Course Completion Requirements: It is the attendees' responsibility to complete relevant documentation requirements in order to receive the qualified CEU/CEC associated with this course. Failure to complete all required documentation satisfactorily will result in an invalid certificate. Quantum Rehab / Pride Mobility Products Corp. has been approved as an Accredited Provider by the International Association for Continuing Education (IACET), 21670 Ridgeway Circle, Suite 170, Sterling, VA 20166: (703) 763-0705. Provider # 1307743. Valid through 2/28/26.